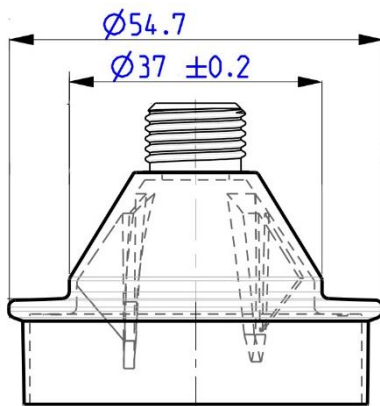


Type Foil Adapter with self bushing system M15



CAN BE USED FOR

chemical industry

ADVANTAGEOUS FEATURES

Replacement foil adapter or nozzle for the "foil bag" system with gun allows the use of various nozzles compatible with most plastic cartridges.

AVAILABLE

packaging (also look blister nozzle pack)

TECHNICAL SPECIFICATION

Producer ID	PR0870-879
Producer ean code (depend on colour)	_3830065620xxxc
Raw material	PE
Type of carton	pap (5 layer)
Quantity per cardboard box [pcs] (outer box dimensions 56,7 x 36,7 x 25,0 cm)	660 pcs/box
Quantity per pallet (pallet dimension 1200 x 800 x 144 mm)	16 boxes (4 row) 10560pcs/pall
pallet height [mm]	approx. 1630
Label packaging	1 label on box 100*120mm (white) On the label will be all data known before the order conformation. All other data will be extra charge.

Packaging is standard. Other packaging types, will be charged extra.
All extra demans must be known before the order conformation.
*deviation on weight is always possible (different material, batch, etc)

Storage Before use plastic Items in production, keep them at least 24 hours indoor by 18-20°C.
It is strictly forbidden to storage pallet on pallet.

Foodsafe If you wish to have food safe certificate for our products, contact us and we will prepare exact for your order.

For colour variation contact office.slovenia@sopi-closures.com
All products are in tolerance according to DIN 16742 or otherwise agreed

General tolerance: DIN 16901-150