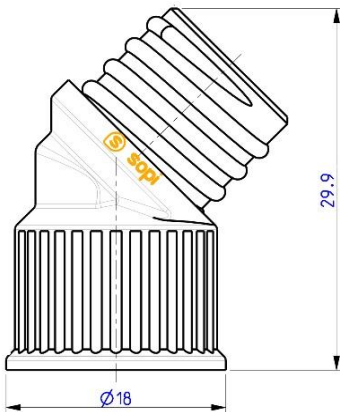


Type CARTRIDGE ADAPTER 45° S15+S15



TECHNICAL SPECIFICATION

CAN BE USED FOR

chemical industry

ADVANTAGEOUS FEATURES

Replacement angles are used for application on spots which are difficult to access.

AVAILABLE

packaging (also look blister nozzle pack)

Producer ID	PR0840-849
Producer ean code (depend on colour)	_3830065620xxxc
Raw material	PE
Type of carton	pap (5 layer)
Quantity per cardboard box [pcs] (outer box dimensions 56,7 x 36,7 x 25,0 cm)	5400 pcs/box
Quantity per pallet (pallet dimension 1200 x 800 x 144 mm)	24 boxes (8 row) 86400 pcs/pall
pallet height [mm]	approx. 2500cm
Label packaging	1 label on box 100*120mm (white) On the label will be all data known before the order conformation. All other data will be extra charge.

Packaging is standard. Other packaging types, will be charged extra.

All extra demands must be known before the order conformation.

*deviation on weight is always possible (different material, batch, etc)

Storage Before use plastic items in production, keep them at least 24 hours indoor by 18-20°C.

It is strictly forbidden to storage pallet on pallet.

Foodsafe If you wish to have food safe certificate for our products, contact us and we will prepare exact for your order.

For colour variation contact office.slovenia@sopi-closures.com

All products are in tolerance according to DIN 16742 or otherwise agreed

General tolerance: DIN 16901-150

it,