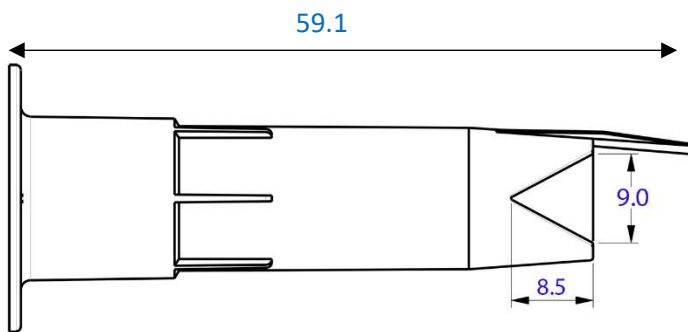


**Type** NOZZLE V-SEAM AND SPACER M15



**CAN BE USED FOR**

chemical industry

**ADVANTAGEOUS FEATURES**

Replacement nozzle for cartridges with V-seam and spacer, which allows for a more precise application on the edges. M15X1,5

**AVAILABLE**

in different colour and packaging (also look blister nozzle pack)

**TECHNICAL SPECIFICATION**

<b>Producer ID</b>	PR0670-679
<b>Producer ean code (depend on colour)</b>	_3830065620xxxx
<b>Raw material</b>	PE
<b>Type of carton</b>	pap (5 layer)
<b>Quantity per cardboard box [pcs]</b> (outer box demensions 56,7 x 36,7 x 25,0 cm)	2100 pcs/box
<b>Quantity per pallet</b> (pallet dimension 1200 x 800 x 144 mm)	16 boxes (4 row) 33600pcs/pall
<b>pallet height [mm]</b>	approx. 1630
<b>Label packaging</b>	1 label on box 100*120mm (white) On the label will be all data known before the order conformation. All other data will be extra charge.

**Packaging** is standard. Other packaging types, will be charged extra.

All extra demans must be known before the order conformation.

\*deviation on weight is always possible (different material, batch, etc)

**Storage** Before use plastic Items in production, keep them at least 24 hours indoor by 18-20°C.

It is strictly forbidden to storage pallet on pallet.

**Foodsafe** If you wish to have food safe certificate for our products, contact us and we will prepare it, exact for your order.

For colour variation contact office.slovenia@sopi-closures.com

All products are in tolerance according to DIN 16742 or otherwise agreed

General tolerance: DIN 16901-150