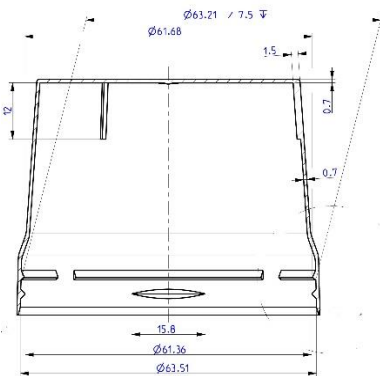


Type d 65



CAN BE USED FOR

chemical industry

Cosmetic industry

ADVANTAGEOUS FEATURES

Storage space saving

ecological

cheaper transportation

AVAILABLE

in different colour With or

without glows

TECHNICAL SPECIFICATION

Type of cap	Necked in cap
Fitting to	tinplate cans
Producer ID	PR1150 and other
Producer ean code (depend on colour)	TBA
Raw material	PP
Type of carton	pap (3 layer)
Quantity per cardboard box [pcs] (outer box demensions 79,0 x 39,8 x 383 cm)	1210 pcs/box
Quantity per pallet (pallet dimension 1200 x 800 x 144 mm)	18 boxes (6 row) 21750pcs/pall
pallet height [mm]	approx. 2450cm
Label packaging	1 label on box 100*120mm (white) On the label will be all data known before

Packaging is standard. Other packaging types, will be charged extra.

All extra demans must be known before the order conformation.

*deviation on weight is always possible (different material, batch, etc)

Storage Before use plastic Items in production, keep them at least 24 hours indoor by 18-20°C.

It is strictly forbidden to storage pallet on pallet.

Foodsafe If you wish to have food safe certificate for our products, contact us and we will prepare exact for your order.

For colour variation contact office.slovenia@sopi-closures.com

All products are in tolerance according to DIN 16742 or otherwise agreed